

Date: _____ Location: _____
 Product: _____ Project: _____
 Quantity: _____ Catalog #: _____

LED LOC-WP Multi Watt Wall Pack Light Series



FEATURES

- Default Wattage is the highest wattage
 - 60W
 - 120W
- IP65 rated
- Easy installation and maintenance
- Corrosion and rust proof
- Semi cut-off
- 50,000 hours lifetime

SUITABLE APPLICATIONS

- Warehouses
- Stadiums
- Factories
- Parking Lots
- Shopping Malls
- Supermarkets
- Logistic Centers
- Auto dealerships

Special Order:

- Other CCTs

CONSTRUCTION:

Heavy die-cast aluminum alloy housing with bronze powder-coated finish. Glass lens.

OPTICAL SYSTEM:

Lumileds LUXEON 3030 2D LED chips. High quality tempered glass optics. 120° beam angle.

WARRANTY:

5-year limited warranty. Actual performance may differ as a result of end-user environment and application.

ELECTRICAL:

Available as 120-277V input. -40°C to 40°C, -40°F to 104°F

INSTALLATION & MOUNTING:

Wall Mounting with quick mount back plate for easy installation.

CONTROLS & DIMMING:

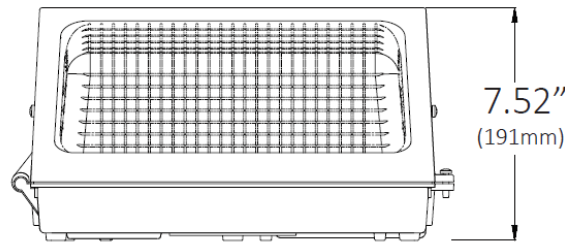
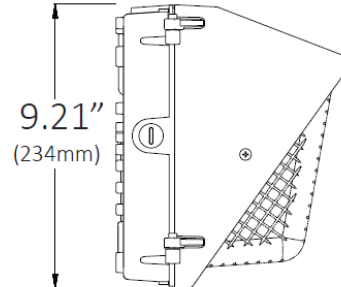
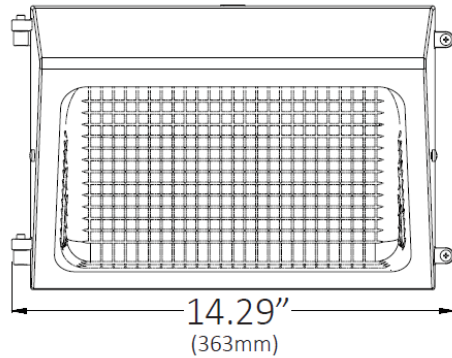
0-10V dimming comes standard. Photocell is included.

MODEL NUMBER – 5,000K	WATTAGE	LUMENS	EFFICACY	CRI	POWER FACTOR	THD	REPLACES
LOC-WP-MW(20/25/40/60)50KDLV	20W	3,500LM	140LM/W	71.3	0.985	11.8%	70W – 150W HID
LOC-WP-MW(20/25/40/60)50KDLV	25W	3,500LM	140LM/W	71.3	0.985	11.8%	70W – 150W HID
LOC-WP-MW(20/25/40/60)50KDLV	40W	5,600LM	140LM/W	71.3	0.985	11.8%	70W – 150W HID
LOC-WP-MW(20/25/40/60)50KDLV	60W	8,400LM	140LM/W	71.3	0.985	11.8%	175W – 250W HID

MODEL NUMBER – 5,000K	WATTAGE	LUMENS	EFFICACY	CRI	POWER FACTOR	THD	REPLACES
LOC-WP-MW(60/80/100/120)50KDLV	60W	8,100LM	135LM/W	70	0.9	15%	175W – 250W HID
LOC-WP-MW(60/80/100/120)50KDLV	80W	10,800LM	135LM/W	70	0.9	15%	175W – 250W HID
LOC-WP-MW(60/80/100/120)50KDLV	100W	13,500LM	135LM/W	70	0.9	15%	250W – 400W HID
LOC-WP-MW(60/80/100/120)50KDLV	120W	16,200LM	135LM/W	70	0.9	15%	250W – 400W HID

Series	Wattage Options	Wattage Options	Color Temperature	Dimming	Voltage
LOC-WP-MW	20W 25W 40W 60W	60W 80W 100W 120W	5000K	Dimmable	LV = 120-277V

MEASUREMENTS



MODEL	QUANTITY	WEIGHT	UPC CODE
LOC-WP-MW(20/25/40/60)50KDLV	1	lbs	00810050941044
LOC-WP-MW(60/80/100/120)50KDLV	1	lbs	00810050941006

MOUNTING OPTIONS



Quick Mount Back Plate

OPTIONAL ACCESSORIES



Emergency Battery

LOC-EMDR-15W-050



Cut-off Shield